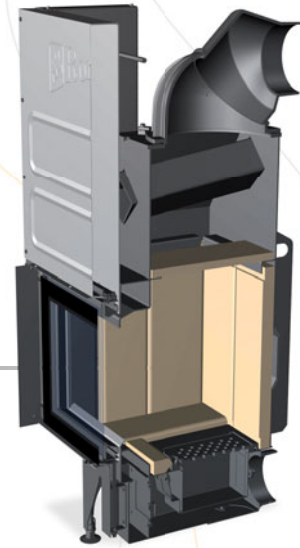


KV 055 BN



KV 055 BN section



KV 055 BN/REDUCTION section

Design fireplace insert with sliding door including smooth stop and central air intake

- design fireplace insert
- flat glass
- sliding door including smooth stop
- CAI – central air intake
- design printed glass
- optional reduction to accumulation rings
- air regulation by a single control element
- cast iron turning dome

Basic technical data

Height	1432 mm
Width	794 mm
Depth	588 mm
Weight	258 kg
Maximum output	16 kW
Adjustable output	4–16 kW
Flue pipe diameter	180 mm
CAI diameter	150 mm
Heating capacity	150–230 m ³
Draft	12 Pa
Efficiency	80 %

Body color



BLACK