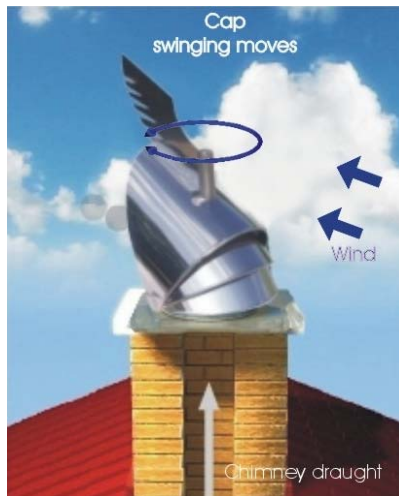


ROTOVENT Self-adjusting chimney cowl



Material

Base and Cap of Stainless steel.
(EN10088: base 1.4404-316L, cap 1.4828, top 1.4301-304).

Usage

Ventilation, Combustion & Smoke ducts.

Diameter	Cap rotation diameter
Ø150	~ 335
Ø200	~ 440
Ø250	~ 560
Ø300	~ 660

Description

The self-adjusting cowl **Rotovent** is a device, which, in a dynamic way, uses the wind force to increase the chimney draught. The cap always places itself in the opposite direction to the wind no matter of its strength or direction. It is to be mounted on a gravitation based chimney ducts endings: ventilation, combustion (flue-gas, oil) and smoke. Its special rotating system with ball bearings placed outside the cap, allows the cowl to withstand high temperatures, which can arise in wood or coal burned stoves.

Maximal working temperatures: 500°C

Usage

- when there are wind fluctuations on the chimney duct ending, caused by its location.
- when there is a unfavorable terrain configuration, with strong and frequent winds.
- when there is a lack of chimney draught or it is too weak.
- in order to improve the natural (gravitation) ventilation, combustion or smoke draught.

Product Codes :

DRO {Ø} {d}

[d= Base version]

Conservation

If applicable all the chimney cowls need to be inspected by chimney-sweep according National laws and regulations.

Maintenance

The chimney-sweep should also clean the cowl from dirt and re-lubricate the moving parts of the **Rotovent** (if it is necessary).

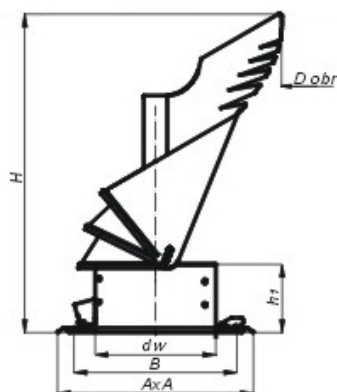
For conservation and maintenance purposes it is necessary to open the cowl, or unscrew the screws and take it off.

ROTOVENT Self-adjusting chimney cowl

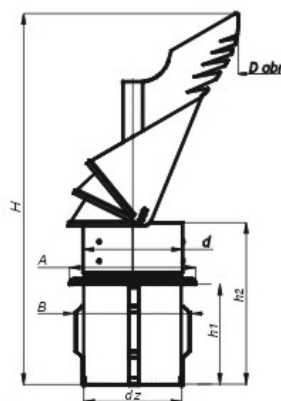


-Square base openable [S]
Ø150-Ø200-Ø250

-Square base [S]
Ø300



-Force-in mounting base [-T]
Ø150-Ø200-Ø250



Measurements table for various inlet diameters

Ø 150		Measurements [mm]						Weight [kg]
Base version	dw	dz	H	h1	h2	A	B	
S	148.0	-	405	85	-	250	208	1.90
T	-	144.0	555	157	235	187	158	2.25

Ø 200		Measurements [mm]						Weight [kg]
Base version	dw	dz	H	h1	h2	A	B	
S	198.0	-	520	85	-	330	284	2.70
T	-	194.0	680	167	245	237	208	2.90

Ø 250		Measurements [mm]						Weight [kg]
Base version	dw	dz	H	h1	h2	A	B	
S	245.0	-	620	85	-	380	330	3.60
T	-	244.0	780	177	255	287	259	3.85

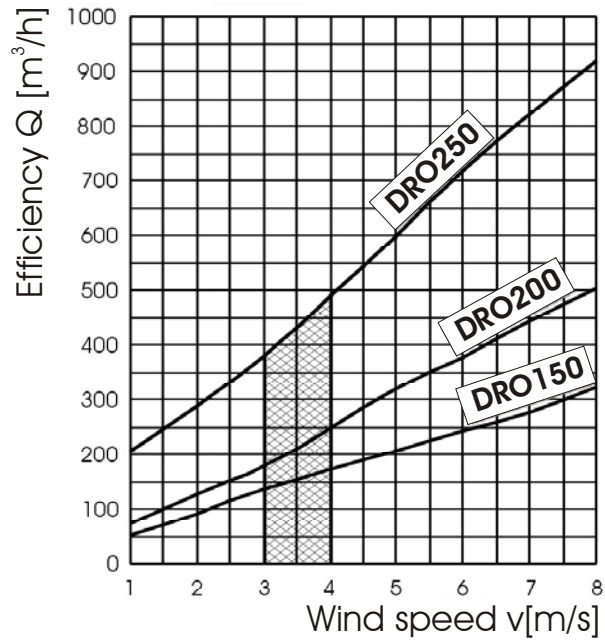
Ø 300		Measurements [mm]						Weight [kg]
Base version	dw	dz	H	h1	h2	A	B	
S	293.0	-	730	130	-	470	420	5.60
T	-	-	-	-	-	-	-	-

Also available on request:

- Other bases.
- Other Base and Cap material.

ROTOVENT Self-adjusting chimney cowl

Airflow Chart



Efficiency chart for **Rotovent** 150 and 200 in a function of wind speed, not including the influence of chimney height
1m/s = 3.6 KM/h